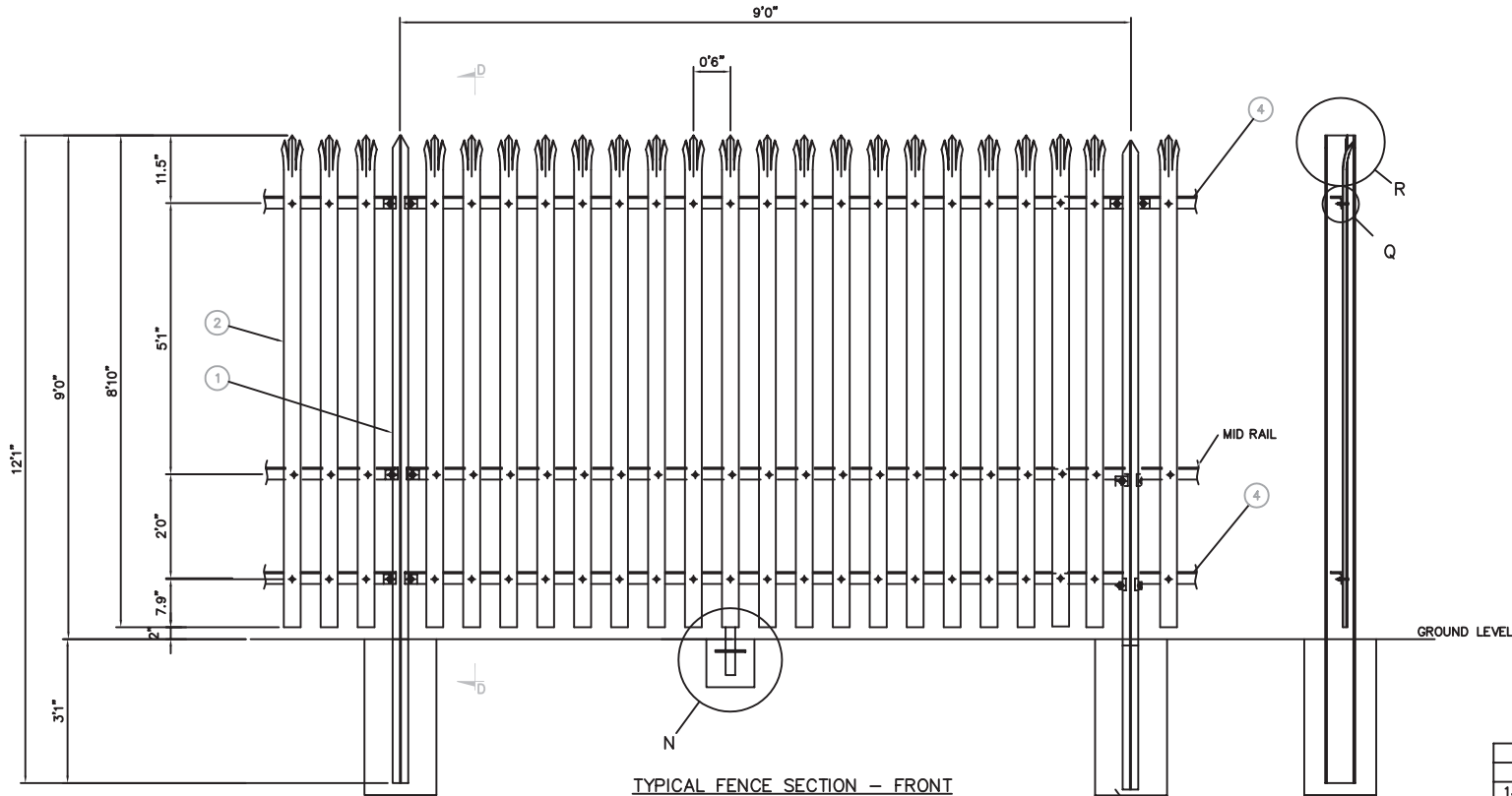


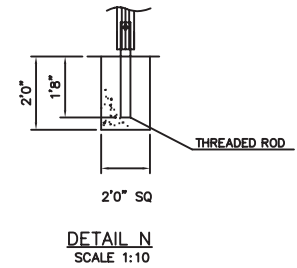
# Talon - "D" Pale - 9' High

DO NOT SCALE

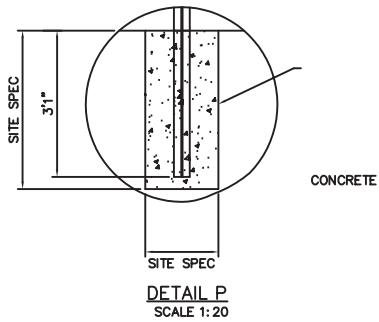


TYPICAL FENCE SECTION - FRONT

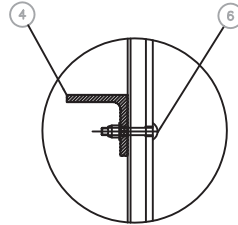
SECTION D-D



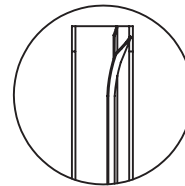
DETAIL N  
SCALE 1:10



DETAIL P  
SCALE 1:20



DETAIL Q  
SCALE 1:2



DETAIL R  
SCALE 1:2

Item No.	Description	Draw No.	Material	No. OFF
13	STANDARD END FISH PLATE		M.S	
10	STANDARD 45° FISH PLATE		M.S	
9	STANDARD FISH PLATE		M.S	
6	Ø6 PNEUMATIC RIVET & COLLAR			
4	STANDARD RAILS(TOP & BOTTOM)		M.S	
2	TALON POINT "D" PALE		M.S	
1	POST		M.S	

**IRONWORKS MANUFACTURING & SUPPLY**

DESCRIPTION  
Talon - "D" Pale - 9'0" High  
PalisadeFence, 9'0" Bay, 3 Rails

Ironworks Mfg & Supply  
300 W. South Street  
Jackson, MS 39203  
Phone: 601-352-3722  
Fax: 601-352-3730  
www.ironworksmfg.com  
Mailing Address:  
P.O. Box 22704  
Jackson, MS 39225